

Check, poppet type

Special cavity, CA-04A-2N

VUCN-04A

04.31.31.00.54 - Z

RE 18318-88

Edition: 01.2019

Replaces: 03.2016

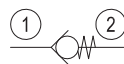
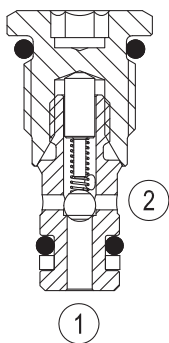


| Technical data | |
|---|---|
| Max. operating pressure | 350 bar (5000 psi) |
| Max. flow | 4 l/min (1 gpm) |
| Max. internal leakage | 5 drops/min. |
| Fluid temperature range | -30 to 100 °C (-22 to 212 °F) |
| Installation torque | 10 - 12 Nm (7 - 9 ft-lbs) |
| Weight | 0.013 kg (0.03 lbs) |
| Special cavity | CA-04A-2N (see data sheet 18325-75) |
| Lines bodies and standard assemblies | Please refer to section "Hydraulic integrated circuit" or consult factory |
| Seal kit ¹⁾ | Code: RG04S2010520100 material no: R930003786 |
| Fluids | Mineral-based or synthetics with lubricating properties at viscosities of 5 to 800 mm ² /s (cSt) |
| Recommended degree of fluid contamination | Nominal value max. 10µm (NAS 8) / ISO 4406 20/18/15 |
| Installation position | No restrictions |
| Other Technical Data | See data sheet 18350-50 |

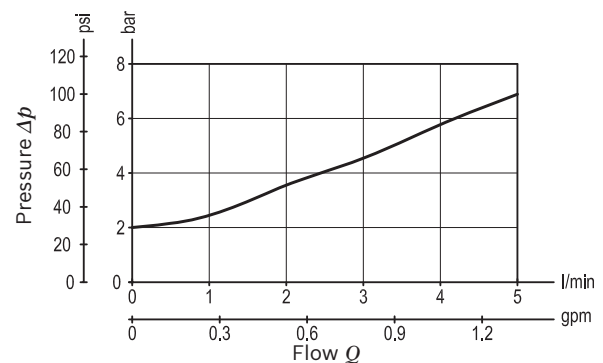
Description

When pressure at 1 rises above the spring bias pressure, the poppet is lifted and flow allowed from 1 to 2. The valve is closed (checked) from 2 to 1. Precision machining and hardening processes allow virtually leak-free performance in the checked condition.

1) Only external seals for 10 valves



Characteristic curve



Ordering code

| | | | | |
|--------------------|-----------|----------|-----------|----------|
| 04.31.31.00 | 54 | Z | 00 | * |
|--------------------|-----------|----------|-----------|----------|

Series 0/A to L
unchanged performances and dimensions

Version and options standard

Check, poppet type

| SPRINGS | |
|--------------------------------|-----------|
| Cracking pressure bar (psi) | |
| 00 | 0.5 (7.3) |
| 02 | 2 (29) |

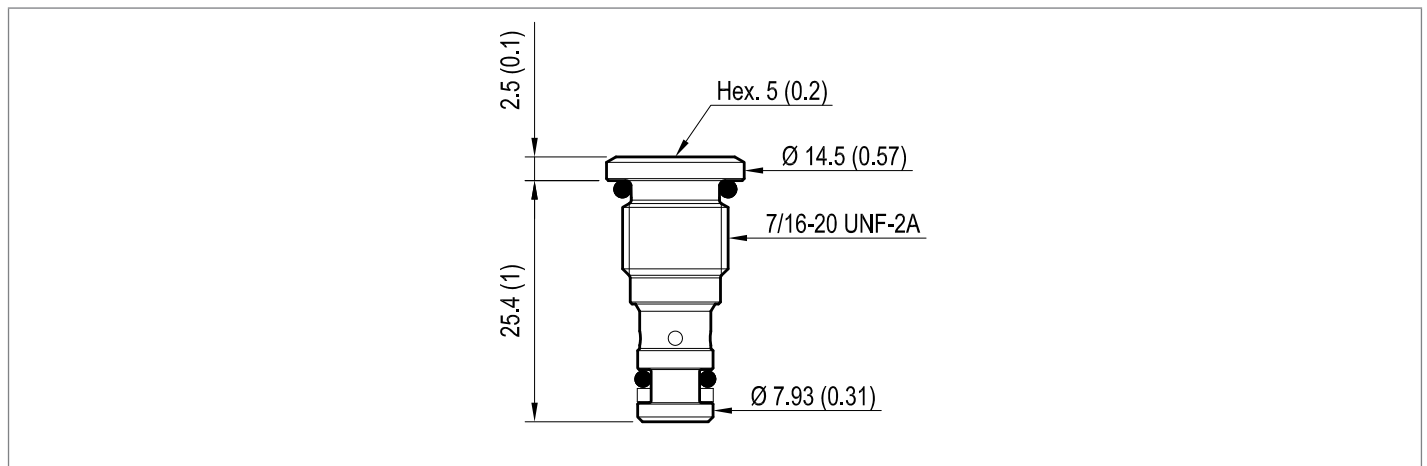
54 Special cavity, CA-04A-2N

Preferred types

| Type | Material number |
|-----------------|-----------------|
| 043131005400000 | R930008160 |
| 043131005402000 | R930000494 |

| Type | Material number |
|------|-----------------|
| | |
| | |

Dimensions



Bosch Rexroth Oil Control S.p.A.

Via Leonardo da Vinci 5
P.O. Box no. 5
41015 Nonantola – Modena, Italy
Tel. +39 059 887 611
Fax +39 059 547 848
compact-hydraulics-cv@boschrexroth.com
www.boschrexroth.com/compacthydraulics

© This document, as well as the data, specifications and other information set forth in it, are the exclusive property of Bosch Rexroth Oil Control S.p.a.. It may not be reproduced or given to third parties without its consent. The data specified above only serve to describe the product. No statements concerning a certain condition or suitability for a certain application can be derived from our information. The information given does not release the user from the obligation of own judgment and verification. It must be remembered that our products are subject to a natural process of wear and aging. Subject to change.