

Check, poppet type

Common cavity, Size 08

VUCN-08A

04.31.20.00.56 - Z

RE 18318-89

Edition: 01.2019

Replaces: 07.2017



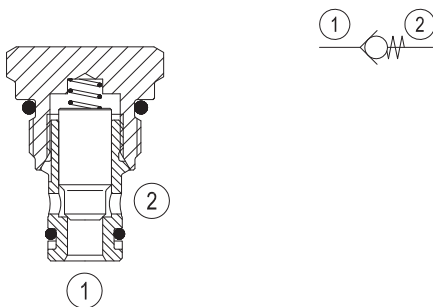
Description

When pressure at 1 rises above the spring bias pressure, the poppet is lifted and flow allowed from 1 to 2. The valve is closed (checked) from 2 to 1. Precision machining and hardening processes allow virtually leak-free performance in the checked condition.

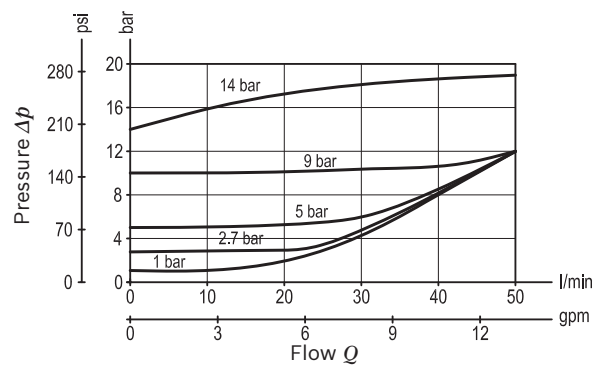
Technical data

Max. operating pressure	420 bar (6000 psi)
Max. flow	50 l/min (13 gpm)
Max. internal leakage	5 drops/min.
Fluid temperature range	-30 to 100 °C (-22 to 212 °F)
Installation torque	34 - 41 Nm (25 - 30 ft-lbs)
Weight	0.12 kg (0.27 lbs)
MTTFD	150 years see RE 18350-51
Cavity	CA-08A-2N (see data sheet 18325-70)
Lines bodies and standard assemblies	Please refer to section "Hydraulic integrated circuit" or consult factory
Seal kit ¹⁾	Code: RG08A2010520100 material no: R901101437
Fluids	Mineral-based or synthetics with lubricating properties at viscosities of 5 to 800 mm ² /s (cSt)
Recommended degree of fluid contamination	Nominal value max. 10µm (NAS 8) / ISO 4406 20/18/15
Installation position	No restrictions
Other Technical Data	See data sheet 18350-50

1) Only external seals for 10 valves



Characteristic curve



Ordering code

04.31.20.00	56	Z	00	*
-------------	----	---	----	---

Series 0/A to L
unchanged performances and dimensions

Version and options standard

Check, poppet type

56 Common cavity, Size 08

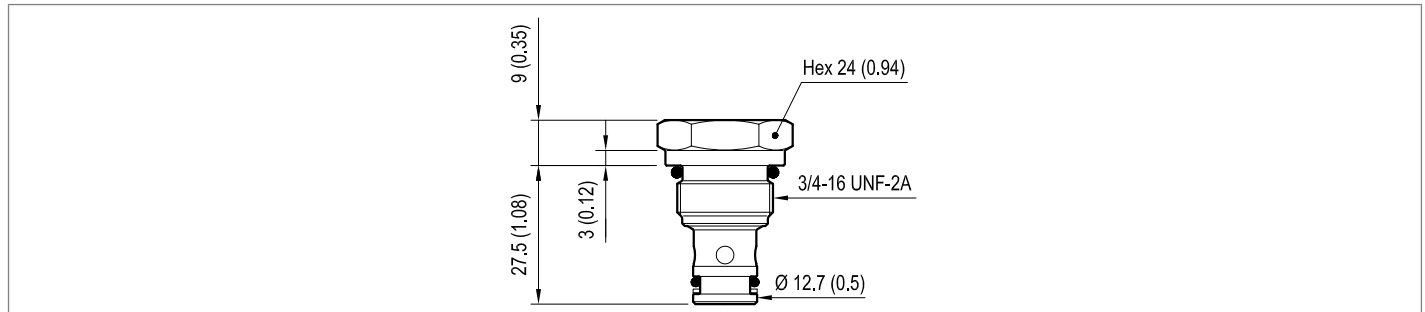
SPRINGS	
Cracking pressure bar (psi)	
A0	0.3 (4.5)
00	1 (15)
03	2.7 (39)
05	5 (73)
06	6 (87)
09	9 (131)
14	14 (203)

Preferred types

Type	Material number
0431200056A0000	R930006992
043120005600000	R901007308
043120005603000	R901162183
043120005605000	R901106550

Type	Material number
043120005606000	R901116571
043120005609000	R930000961
043120005614000	R901106592

Dimensions



Bosch Rexroth Oil Control S.p.A.

Via Leonardo da Vinci 5
P.O. Box no. 5
41015 Nonantola – Modena, Italy
Tel. +39 059 887 611
Fax +39 059 547 848
compact-hydraulics-cv@boschrexroth.com
www.boschrexroth.com/compacthydraulics

© This document, as well as the data, specifications and other information set forth in it, are the exclusive property of Bosch Rexroth Oil Control S.p.a.. It may not be reproduced or given to third parties without its consent. The data specified above only serve to describe the product. No statements concerning a certain condition or suitability for a certain application can be derived from our information. The information given does not release the user from the obligation of own judgment and verification. It must be remembered that our products are subject to a natural process of wear and aging. Subject to change.