

Relief, direct acting poppet type
differential area
Special cavity, 004

VSD-350

04.15.04 - X - 99 - Z

RE 18318-22

Edition: 03.2016

Replaces: 09.2009



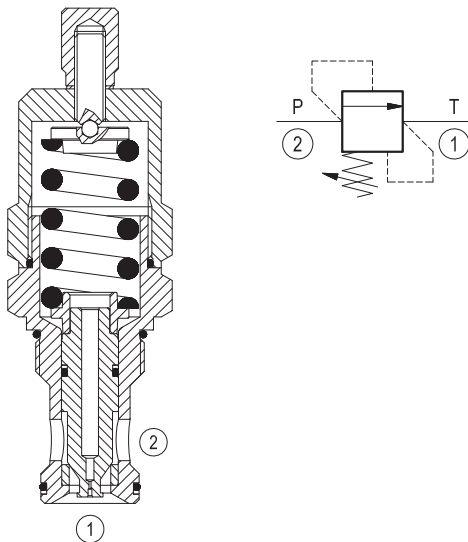
Description

Flow is blocked from 2 to 1 until pressure increases to meet the selected valve setting, lifting the poppet from its seat and allowing relief flow through 1 to tank. Pressure at 1 is additive to the relief setting of the valve. The combination of stable poppet design and hardened seat provide excellent response, hysteresis and leakage characteristics.

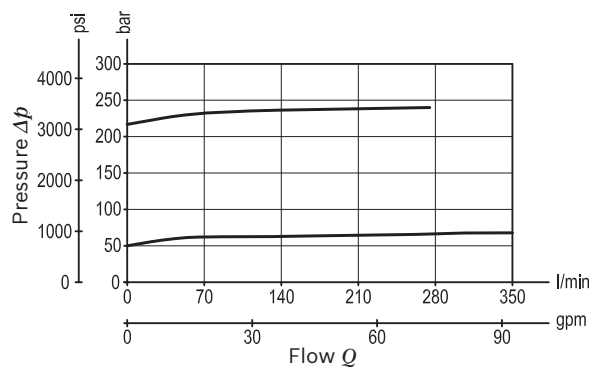
Technical data

| | |
|---|--|
| Max. operating pressure port 2 (P) | 210 bar (3000 psi) |
| Max. pressure admitted port 1 (T) | 140 bar (2000 psi) |
| Max. flow | 350 l/min (93 gpm) |
| Max. internal leakage ¹⁾ | 15 drops/min. |
| Fluid temperature range | -30 to 100 °C (-22 to 212 °F) |
| Installation torque | 245 - 264 Nm (181 - 196 ft-lbs) |
| Weight | 1.5 kg (3.3 lbs) |
| Special cavity | 004 (see data sheet 18325-75) |
| Lines bodies and standard assemblies | Please refer to section "Hydraulic integrated circuit" or consult factory |
| Seal kit ²⁾ | Code: RG004020520100 material no: R930001696 |
| Fluids | Mineral-based or synthetics with lubricating properties at viscosities of 10 to 500 mm ² /s (cSt) |
| Recommended degree of fluid contamination | Nominal value max. 10µm (NAS 8) / ISO 4406 19/17/14 |
| Installation position | No restrictions |
| Other Technical Data | See data sheet 18350-50 |

- 1) At 80% of pressure setting
- 2) Only external seals for 10 valves



Characteristic curve



Ordering code

| | | | | | |
|-----------------|----------|-----------|----------|-----------|----------|
| 04.15.04 | X | 99 | Z | 00 | * |
|-----------------|----------|-----------|----------|-----------|----------|

Relief, direct acting poppet type differential area

Adjustments

03 Leakproof hex. socket screw

99 Special cavity, 004

Series 0/A to L
unchanged performances and dimensions

Version and options standard

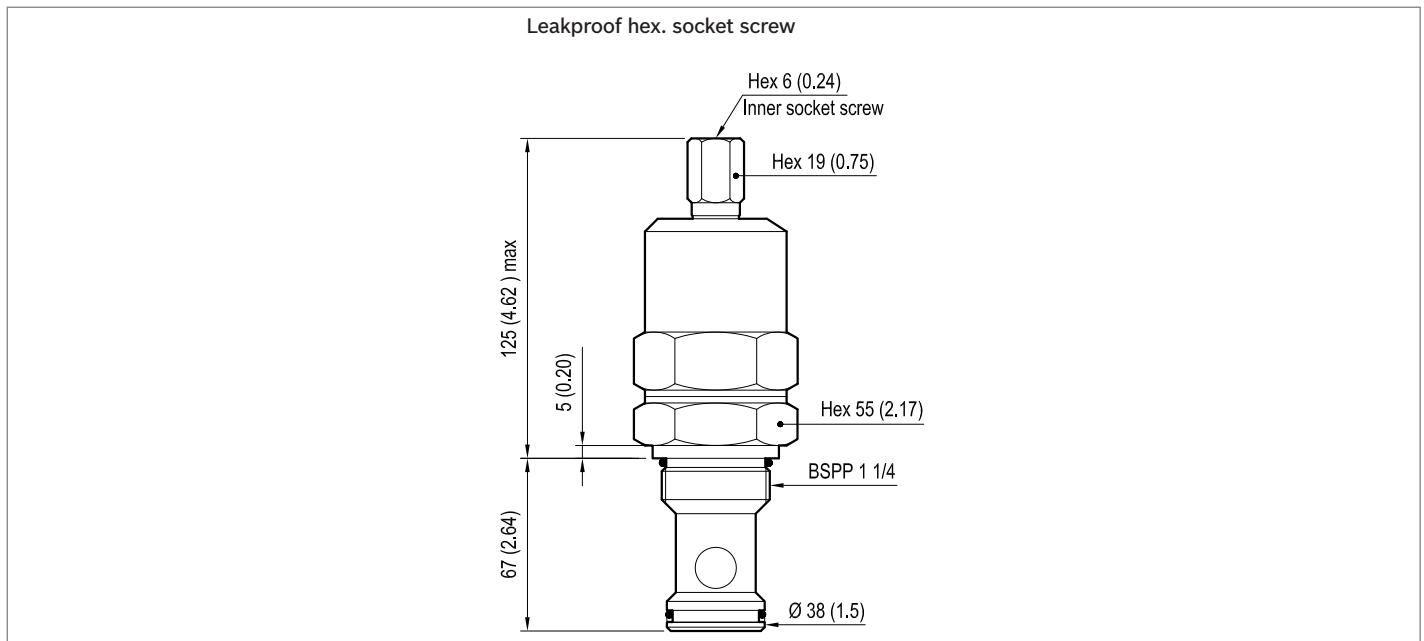
| SPRINGS | | | |
|-----------|-----------------------------|---------------------------------------|----------------------------------|
| | Adj. press. range bar (psi) | Pressure increase bar/turn (psi/turn) | Std. setting bar (psi) Q=5 l/min |
| 05 | 15-50 (220-725) | 9 (131) | 50 (725) |
| 20 | 80-210 (1160-3000) | 37 (537) | 200 (2900) |

Preferred types

| Type | Material number |
|-----------------|-----------------|
| 04150403990500A | R930000377 |
| 04150403992000A | R901113637 |

| Type | Material number |
|------|-----------------|
| | |
| | |

Dimensions



Bosch Rexroth Oil Control S.p.A.

Via Leonardo da Vinci 5
P.O. Box no. 5
41015 Nonantola – Modena, Italy
Tel. +39 059 887 611
Fax +39 059 547 848
compact-hydraulics-cv@boschrexroth.com
www.boschrexroth.com/compacthydraulics

© This document, as well as the data, specifications and other information set forth in it, are the exclusive property of Bosch Rexroth Oil Control S.p.a.. It may not be reproduced or given to third parties without its consent. The data specified above only serve to describe the product. No statements concerning a certain condition or suitability for a certain application can be derived from our information. The information given does not release the user from the obligation of own judgment and verification. It must be remembered that our products are subject to a natural process of wear and aging. Subject to change.