

Relief, pilot operated spool type
external pilot
Common cavity, Size 12

VSPX-12A

04.13.08 - X - 57 - Z

RE 18318-14

Edition: 03.2016

Replaces: 09.2009



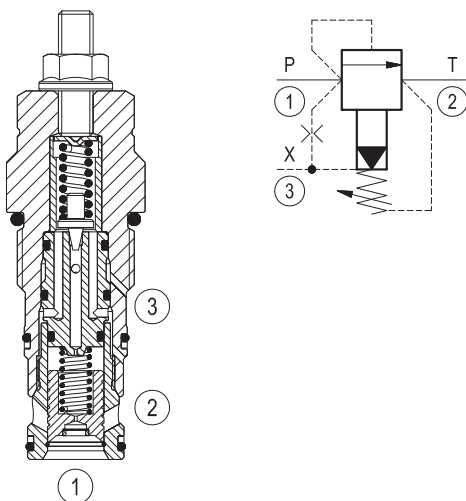
Description

Flow is blocked from 1 to 2 until pressure increases to meet the selected valve setting, lifting the conical, pilot-stage poppet from its seat. This action exhausts oil above the main-stage piston (spool type), allowing it to shift and provide relief flow through 2 to tank. Pressure at 2 is additive to the reliefsetting of the valve. With port 3 fully drained to tank, the minimum relief setting of 2 bar (30 psi) is attained. To use the remote control feature, pressure at 3 may be varied externally in control of the main relief setting up to the selected maximum spring adjustment.

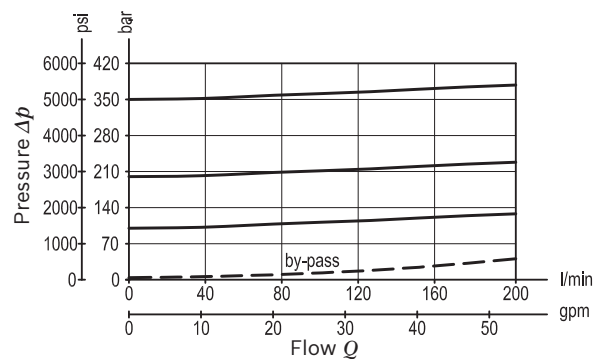
Technical data

Max. operating pressure port 1 (P) and 2 (T)	350 bar (5000 psi)
Max. pressure admitted port 3 (Y)	350 bar (5000 psi)
Flow range	5 - 200 l/min (1.3 - 53 gpm)
Max. internal leakage ¹⁾	350 cm ³ /min. (21 cu.in./min.)
Fluid temperature range	-30 to 100 °C (-22 to 212 °F)
Installation torque	81 - 95 Nm (60 - 70 ft-lbs)
Weight	0.3 kg (0.66 lbs)
Cavity	CA-12A-3C (see data sheet 18325-70)
Lines bodies and standard assemblies	Please refer to section "Hydraulic integrated circuit" or consult factory
Seal kit ²⁾	Code: RG12A9010520100 material no: R901111379
Fluids	Mineral-based or synthetics with lubricating properties at viscosities of 10 to 500 mm ² /s (cSt)
Recommended degree of fluid contamination	Nominal value max. 10µm (NAS 8) / ISO 4406 19/17/14
Installation position	No restrictions
Other Technical Data	See data sheet 18350-50

- 1) Measured at 200 bar (2900 psi)
- 2) Only external seals for 10 valves



Characteristic curve



Ordering code

04.13.08	X	57	Z	00	*
-----------------	----------	-----------	----------	-----------	----------

Relief, pilot operated spool type
external pilot

Adjustments

03 Leakproof hex. socket screw

57 Common cavity, Size 12

Series 0/A to L
unchanged performances and dimensions

Version and options standard

SPRINGS			
	Adj. press. range bar (psi)	Pressure increase bar/turn (psi/turn)	Std. setting bar (psi) Q=5 l/min
10	35-140 (500-2000)	48 (696)	100 (1450)
20	70-280 (1000-4000)	88 (1276)	200 (2900)
35	140-420 (2000-6000)	140 (2030)	350 (5000)

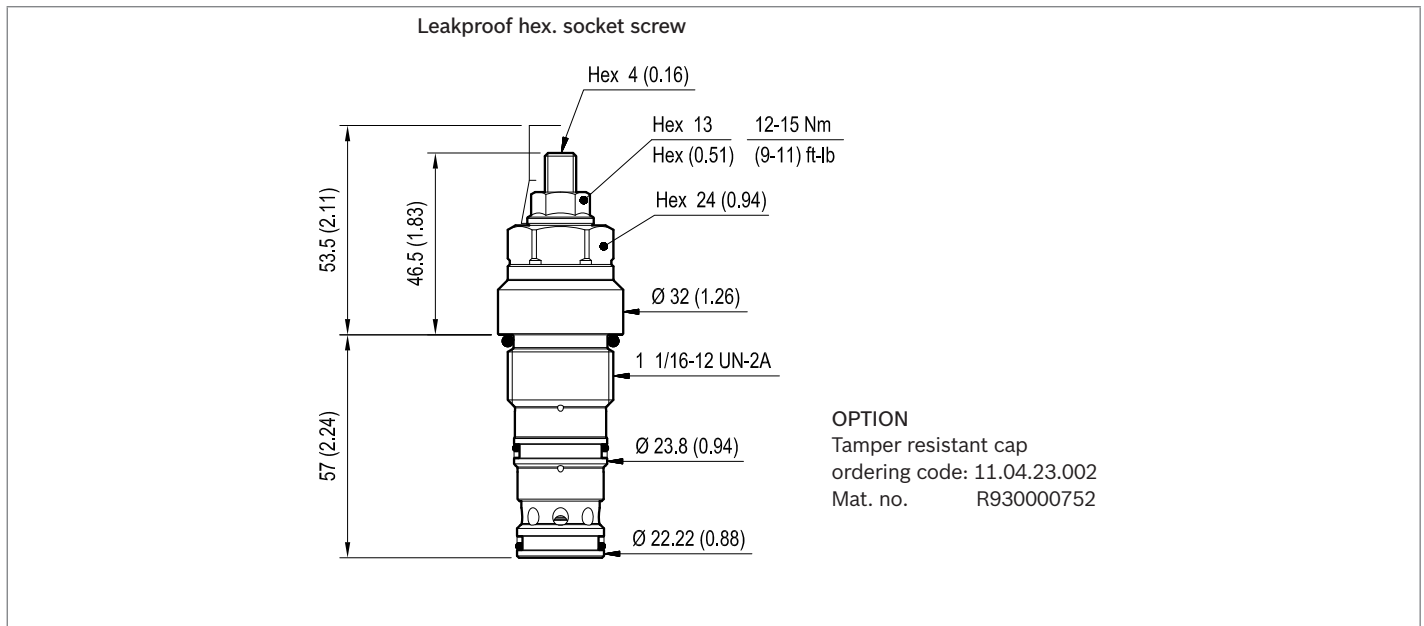
Note: Special settings available. Contact factory authorized representative for ordering code.

Preferred types

Type	Material number
041308035710000	R930000359
041308035720000	R930000360
041308035735000	R930000361

Type	Material number

Dimensions



Bosch Rexroth Oil Control S.p.A.

Via Leonardo da Vinci 5
P.O. Box no. 5
41015 Nonantola – Modena, Italy
Tel. +39 059 887 611
Fax +39 059 547 848
compact-hydraulics-cv@boschrexroth.com
www.boschrexroth.com/compacthydraulics

© This document, as well as the data, specifications and other information set forth in it, are the exclusive property of Bosch Rexroth Oil Control S.p.a.. It may not be reproduced or given to third parties without its consent. The data specified above only serve to describe the product. No statements concerning a certain condition or suitability for a certain application can be derived from our information. The information given does not release the user from the obligation of own judgment and verification. It must be remembered that our products are subject to a natural process of wear and aging. Subject to change.