

Relief, pilot operated spool type  
external drain  
Common cavity, Size 12

VSPY-12A

04.13.07 - X - 57 - Z

**RE 18318-13**

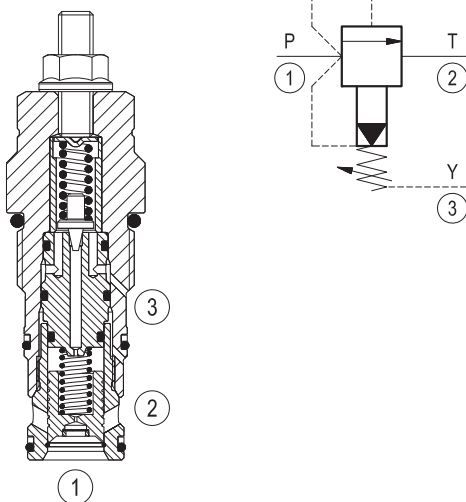
Edition: 03.2016

Replaces: 09.2009



**Description**

Flow is blocked from 1 to 2 until pressure increases to meet the selected valve setting, lifting the conical, pilot-stage poppet from its seat. This action exhausts oil above the main-stage piston (spool type), allowing it to shift and provide relief flow through 2 to tank. The spring chamber is drained to tank at 3 allowing a consistent relief setting independent of back-pressure at 2.

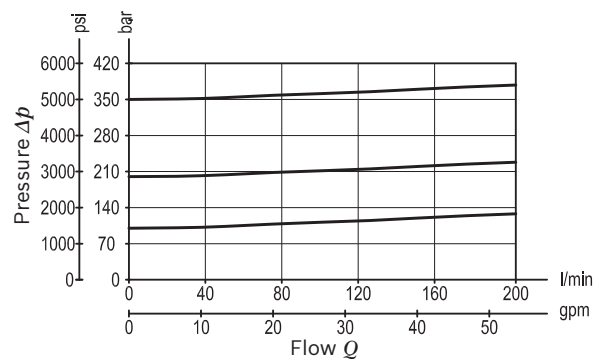


**Technical data**

Max. operating pressure port 1 (P) and 2 (T)	350 bar (5000 psi)
Max. pressure admitted port 3 (Y)	140 bar (2000 psi)
Flow range	5 - 200 l/min (1.3 - 53 gpm)
Max. internal leakage <sup>1)</sup>	350 cm <sup>3</sup> /min. (21 cu.in./min.)
Fluid temperature range	-30 to 100 °C (-22 to 212 °F)
Installation torque	81 - 95 Nm (60 - 70 ft-lbs)
Weight	0.3 kg (0.66 lbs)
Cavity	CA-12A-3C (see data sheet 18325-70)
Lines bodies and standard assemblies	Please refer to section "Hydraulic integrated circuit" or consult factory
Seal kit <sup>2)</sup>	Code: RG12A9010520100 material no: R901111379
Fluids	Mineral-based or synthetics with lubricating properties at viscosities of 10 to 500 mm <sup>2</sup> /s (cSt)
Recommended degree of fluid contamination	Nominal value max. 10µm (NAS 8) / ISO 4406 19/17/14
Installation position	No restrictions
Other Technical Data	See data sheet 18350-50

- 1) Measured at 200 bar (2900 psi)
- 2) Only external seals for 10 valves

**Characteristic curve**



**Ordering code**

<b>04.13.07</b>	<b>X</b>	<b>57</b>	<b>Z</b>	<b>00</b>	<b>*</b>
-----------------	----------	-----------	----------	-----------	----------

Relief, pilot operated spool type  
external drain

Adjustments

**03** Leakproof hex. socket screw

**57** Common cavity, Size 12

Series 0/A to L  
unchanged performances and dimensions

Version and options standard

SPRINGS			
	Adj. press. range bar (psi)	Pressure increase bar/turn (psi/turn)	Std. setting bar (psi) Q=5 l/min
<b>10</b>	35-140 (500-2000)	48 (696)	100 (1450)
<b>20</b>	70-280 (1000-4000)	88 (1276)	200 (2900)
<b>35</b>	140-420 (2000-6000)	140 (2030)	350 (5000)

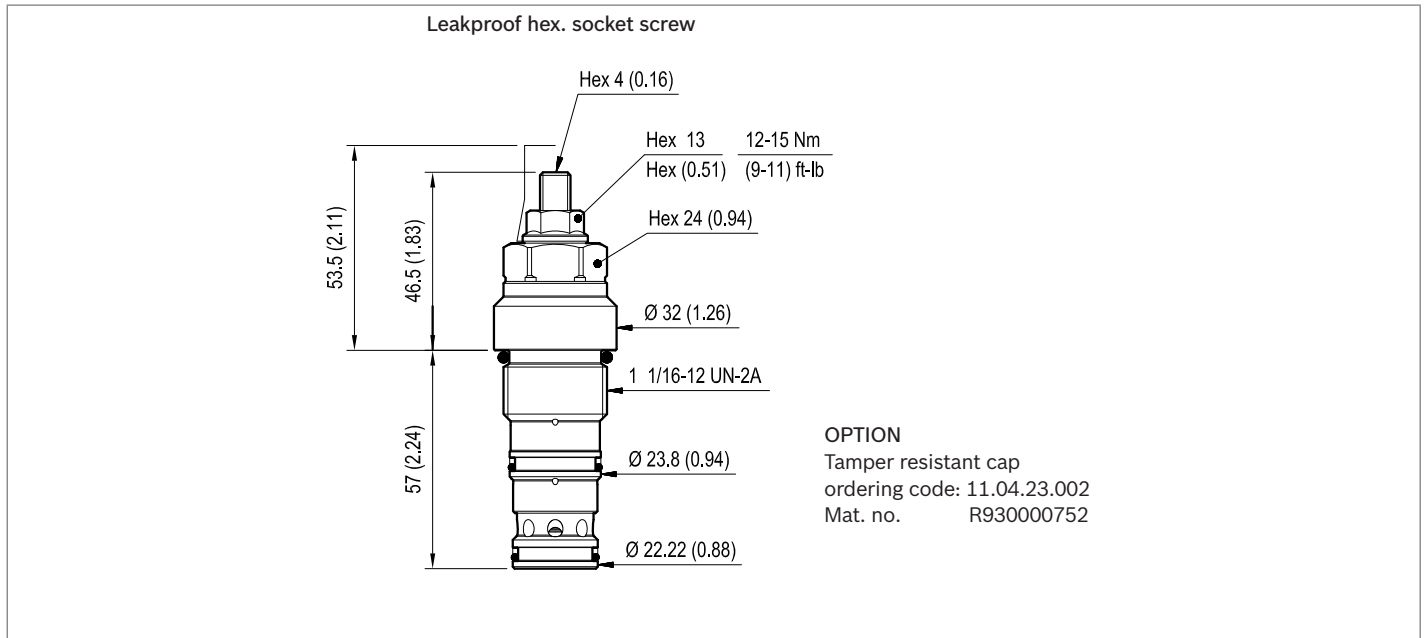
Note: Special settings available. Contact factory authorized representative for ordering code.

**Preferred types**

Type	Material number
041307035710000	R930000356
041307035720000	R930000357
041307035735000	R930000358

Type	Material number

**Dimensions**



**Bosch Rexroth Oil Control S.p.A.**

Via Leonardo da Vinci 5  
P.O. Box no. 5  
41015 Nonantola – Modena, Italy  
Tel. +39 059 887 611  
Fax +39 059 547 848  
compact-hydraulics-cv@boschrexroth.com  
www.boschrexroth.com/compacthydraulics

© This document, as well as the data, specifications and other information set forth in it, are the exclusive property of Bosch Rexroth Oil Control S.p.a.. It may not be reproduced or given to third parties without its consent. The data specified above only serve to describe the product. No statements concerning a certain condition or suitability for a certain application can be derived from our information. The information given does not release the user from the obligation of own judgment and verification. It must be remembered that our products are subject to a natural process of wear and aging. Subject to change.