

Flow divider and combiner

Common cavity, Size 16

DRFN-16A

04.05.02 - X - 27 - Z

RE 18321-25

Edition: 01.2018

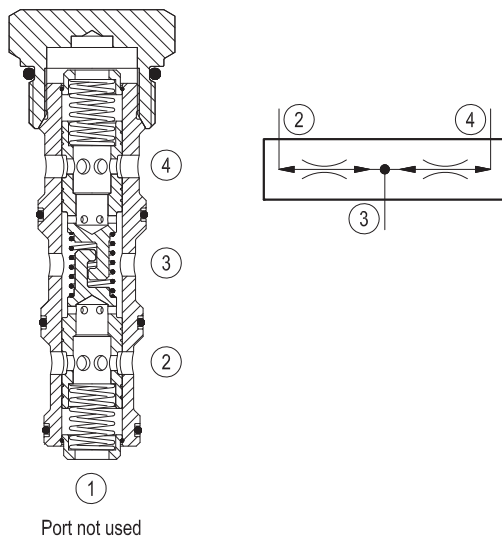
Replaces: 03.2016



Technical data	
Pressure min. - max.	10 - 350 bar (145 - 5000 psi)
Flow range	see "Range of total flow" table
Fluid temperature range	-30 to 100 °C (-22 to 212 °F)
Installation torque	108 - 122 Nm (80 - 90 ft-lbs)
Division ratio	50% - 50% or 33% - 67%
Weight	0.41 kg (0.9 lbs)
Cavity	CA-16A-4N (see data sheet 18325-70)
Lines bodies and standard assemblies	Please refer to section "Hydraulic integrated circuit" or consult factory
Seal kit ¹⁾	Code: RG16A4010530100 material no: R930000973
Fluids	Mineral-based or synthetics with lubricating properties at viscosities of 10 to 500 mm ² /s (cSt)
Recommended degree of fluid contamination	Nominal value max. 10µm (NAS 8) / ISO 4406 19/17/14
Installation	No restrictions
Other Technical Data	See data sheet 18350-50

Description

Input flow at 3 will be divided and output equally to 2 and 4 independent of system pressures. Flow input at 2 and 4 will be combined and output at 3. Should either 2 or 4 become blocked in flow division mode, approximately 5% of the input flow will be transmitted to the open port.

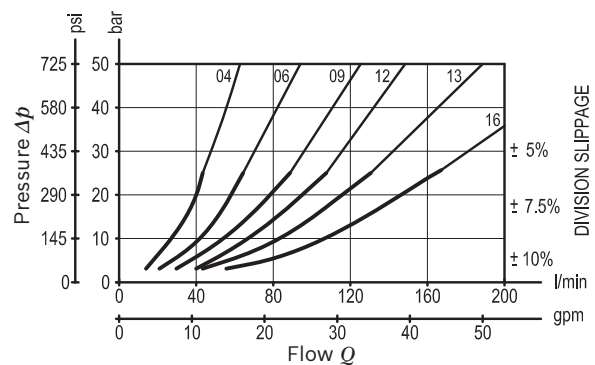


1) Only external seals for 10 valves

Slippage (tolerance) from theoretical divided flows: ±5% to ±10%, depending from inlet flow (see diagram).

N.B. Slippage is lowest toward upper limit of nominal range.

Characteristic curve



Ordering code

04.05.02	X	27	Z	00	*
----------	---	----	---	----	---

Flow divider and combiner

Series 0/A to L
unchanged performances and dimensions

Version and options standard

Division ratio

00 50% port 2 - 50% port 4**33¹⁾** 33% port 2 - 67% port 4**27** Common cavity, Size 16Regulated flow range
l/min. (gpm)

04	15 - 44 (3.96 - 11.63)
06	22 - 66 (5.81 - 17.44)
09	30 - 80 (7.93 - 21.14)
12¹⁾	35 - 110 (9.25 - 29.06)
13	44 - 132 (11.63 - 34.88)
16	55 - 165 (14.53 - 43.59)

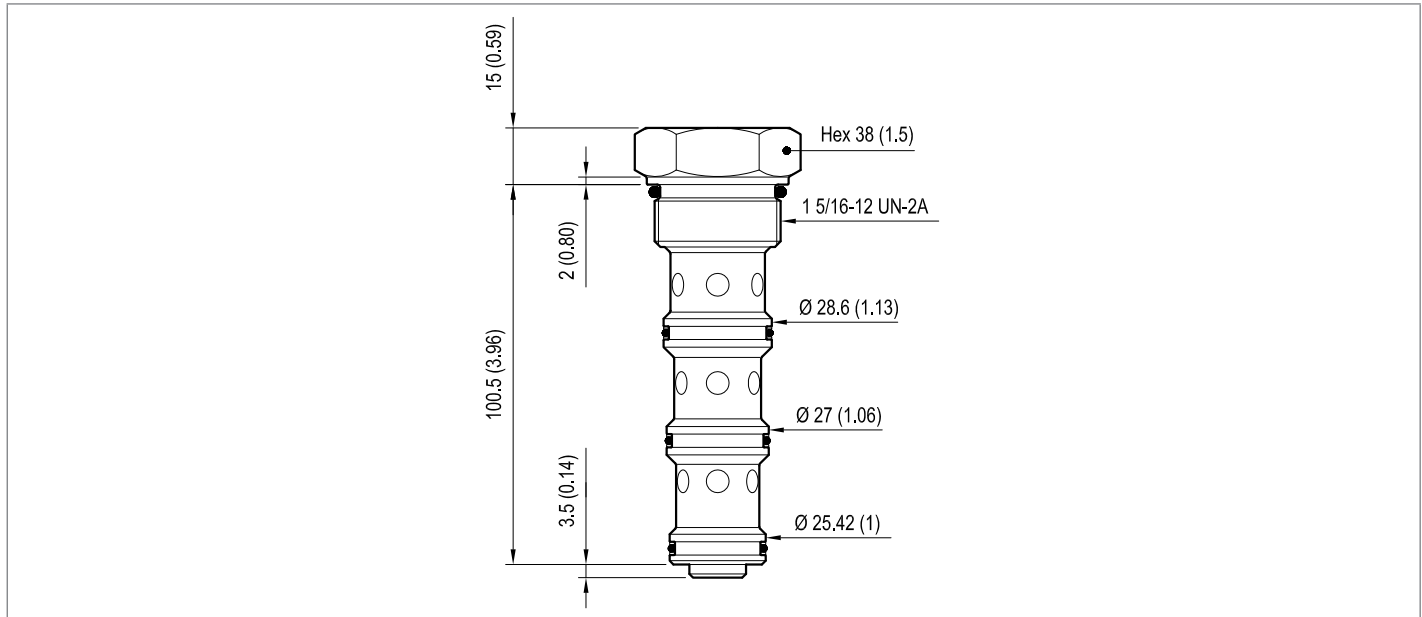
¹⁾ Only version available with division ratio 33% - 67%

Preferred types

Type	Material number
04050200270400A	R930053926
04050200270600A	R930053927
04050200270900A	R930053928
04050200271300A	R930053929

Type	Material number
04050200271600A	R930053931
040502332712000	R930064598

Dimensions

**Bosch Rexroth Oil Control S.p.A.**

Via Leonardo da Vinci 5
P.O. Box no. 5
41015 Nonantola – Modena, Italy
Tel. +39 059 887 611
Fax +39 059 547 848
compact-hydraulics-cv@boschrexroth.com
www.boschrexroth.com/compacthydraulics

© This document, as well as the data, specifications and other information set forth in it, are the exclusive property of Bosch Rexroth Oil Control S.p.a.. It may not be reproduced or given to third parties without its consent. The data specified above only serve to describe the product. No statements concerning a certain condition or suitability for a certain application can be derived from our information. The information given does not release the user from the obligation of own judgment and verification. It must be remembered that our products are subject to a natural process of wear and aging. Subject to change.