

Flow control, 3-way pressure compensated,  
combination type fixed setting  
Common cavity, Size 12

VRFC-12A-TF

04.04.03.00.57 - Z

**RE 18321-19**

Edition: 03.2016

Replaces: 09.2009

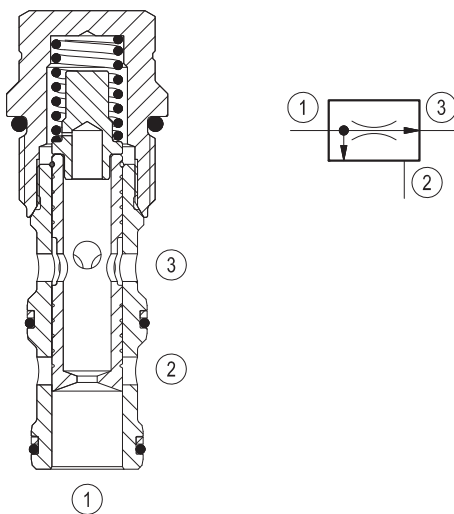


Technical data	
Pressure min. - max.	14 - 350 bar (200 - 5000 psi)
Max. inlet flow	130 l/min. (34 gpm)
Flow range	see "Regulated flow range" table
Fluid temperature range	-30 to 100 °C (-22 to 212 °F)
Installation torque	81 - 95 Nm (60 - 70 ft-lbs)
Weight	0.26 kg (0.57 lbs)
Cavity	CA-12A-3N (see data sheet 18325-70)
Lines bodies and standard assemblies	Please refer to section "Hydraulic integrated circuit" or consult factory
Seal kit <sup>1)</sup>	Code: RG12A3010520100 material no: R930000941
Fluids	Mineral-based or synthetics with lubricating properties at viscosities of 10 to 500 mm <sup>2</sup> /s (cSt)
Recommended degree of fluid contamination	Nominal value max. 10µm (NAS 8) / ISO 4406 19/17/14
Installation	No restrictions
Other Technical Data	See data sheet 18350-50

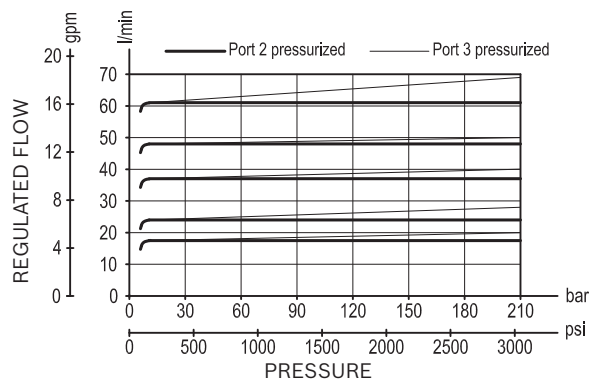
1) Only external seals for 10 valves

**Description**

A constant flow rate, regardless of system pressures, is established from 1 to 3 while a minimum pressure differential of 14 bar (200 psi) exists between the two ports. Input flow supplied to 1 in excess of the regulated output at 3 is by-passed to 2. The valve cannot be adjusted for variable flow output. Flow from 3 to 1 is limited by the diameter of the selected control orifice and is not pressure compensated. Flow from 2 to 1 is not permitted.



**Characteristic curve**



**Ordering code**

<b>04.04.03.00</b>	<b>57</b>	<b>Z</b>	<b>00</b>	<b>*</b>
--------------------	-----------	----------	-----------	----------

Flow control, 3-way pressure compensated  
combination type fixed setting

Series 0/A to L  
unchanged performances and dimensions

Version and options standard

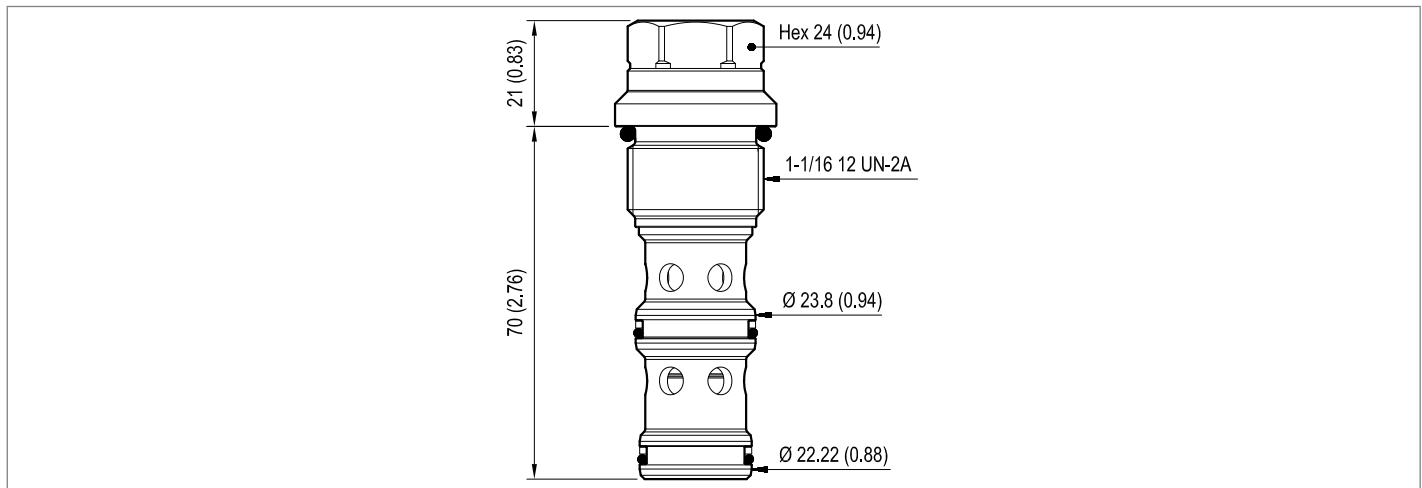
**57** Common cavity, Size 12

	Regulated flow range l/min. (gpm) ± 10%
<b>15</b>	15 (4)
<b>20</b>	20 (5)
<b>23</b>	23 (6)
<b>26</b>	26 (7)
<b>29</b>	29 (8)
<b>37</b>	37 (10)
<b>41</b>	41 (11)
<b>45</b>	45 (12)
<b>50</b>	50 (13)
<b>58</b>	58 (15)
<b>63</b>	63 (17)

**Preferred types**

Type	Material number
040403005715000	R930000070
040403005720000	R930000071
040403005723000	R930000072
040403005726000	R930000073
040403005729000	R930000074
040403005737000	R930000075

Type	Material number
040403005741000	R930000076
040403005745000	R930000077
040403005750000	R930000078
040403005758000	R930000079
040403005763000	R930000080

**Dimensions****Bosch Rexroth Oil Control S.p.A.**

Via Leonardo da Vinci 5  
P.O. Box no. 5  
41015 Nonantola – Modena, Italy  
Tel. +39 059 887 611  
Fax +39 059 547 848  
compact-hydraulics-cv@boschrexroth.com  
www.boschrexroth.com/compacthydraulics

© This document, as well as the data, specifications and other information set forth in it, are the exclusive property of Bosch Rexroth Oil Control S.p.a.. It may not be reproduced or given to third parties without its consent. The data specified above only serve to describe the product. No statements concerning a certain condition or suitability for a certain application can be derived from our information. The information given does not release the user from the obligation of own judgment and verification. It must be remembered that our products are subject to a natural process of wear and aging. Subject to change.