

Flow control, 3-way pressure compensated,
combination type fully adjustable
Common cavity, Size 10

VRFD-10A

04.04.02 - X - 85 - Z

RE 18321-20

Edition: 03.2016

Replaces: 09.2009



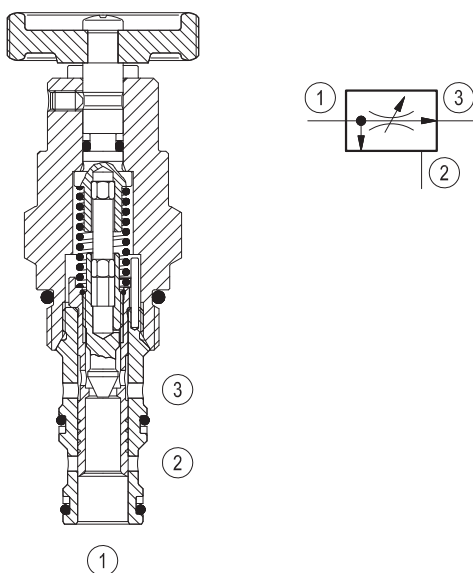
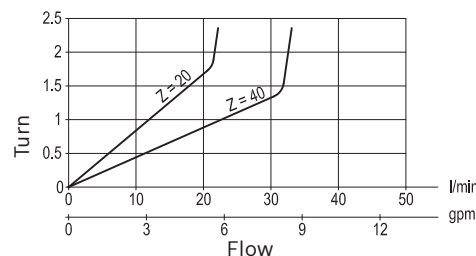
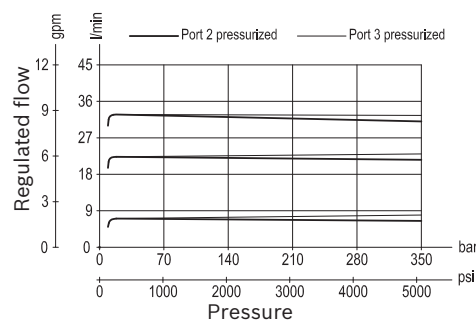
| Technical data | |
|-------------------------------------------|--------------------------------------------------------------------------------------------------------------|
| Pressure min. - max. | 14 - 350 bar (200 - 5000 psi) |
| Max. inlet flow | 60 l/min. (16 gpm) |
| Flow range | see "Regulated flow range" table |
| Fluid temperature range | -30 to 100 °C (-22 to 212 °F) |
| Installation torque | 41 - 47 Nm (30 - 35 ft-lbs) |
| Weight ¹⁾ | 0.26 kg (0.57 lbs) |
| Cavity | CA-10A-3N (see data sheet 18325-70) |
| Lines bodies and standard assemblies | Please refer to section "Hydraulic integrated circuit" or consult factory |
| Seal kit ²⁾ | Code: RG10A3010520100 material no: R901111369 |
| Fluids | Mineral-based or synthetics with lubricating properties at viscosities of 10 to 500 mm ² /s (cSt) |
| Recommended degree of fluid contamination | Nominal value max. 10µm (NAS 8) / ISO 4406 19/17/14 |
| Installation | No restrictions |
| Other Technical Data | See data sheet 18350-50 |

Description

A constant flow rate, regardless of system pressures, is established from 1 to 3 while a minimum pressure differential of 14 bar (200 psi) exists between the two ports. Input flow supplied to 1 in excess of the regulated output at 3 is by-passed to 2. Output flow can be varied from closed to the nominal maximum rating for the valve. Flow from 3 to 1 is limited by the diameter of the selected control orifice and is not pressure compensated. Flow from 2 to 1 is not permitted.

- 1) Standard version X=04 type
- 2) Only external seals for 10 valves

Characteristic curve



Ordering code

| | | | | | |
|-----------------|----------|-----------|----------|-----------|----------|
| 04.04.02 | X | 85 | Z | 00 | * |
|-----------------|----------|-----------|----------|-----------|----------|

Flow control, 3-way pressure compensated combination type fully adjustable

Series 0/A to L
unchanged performances and dimensions

Version and options standard

Adjustments

04 Handknob

40 Calibrated handknob

| | Regulated flow range l/min. (gpm) |
|-----------|--------------------------------------|
| 20 | 0.1-20 (0.03-5.28) |
| 40 | 0.2-30 (0.05-7.93) |

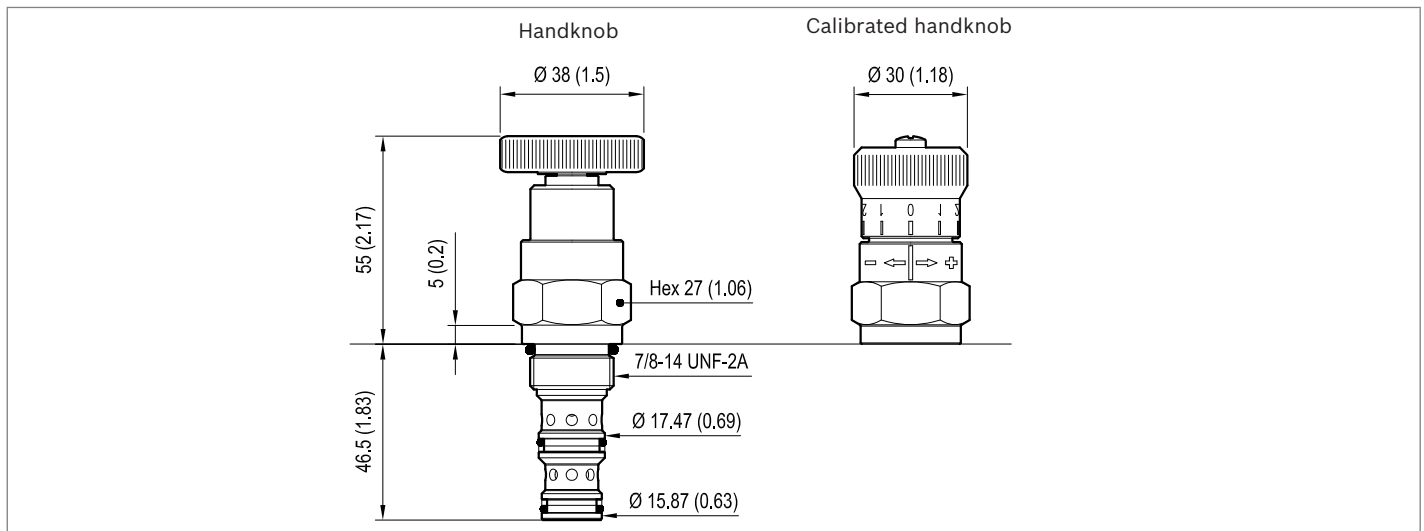
85 Common cavity, Size 10

Preferred types

| Type | Material number |
|-----------------|-----------------|
| 04040204852000A | R930055365 |
| 04040204854000A | R930055362 |
| 04040240852000A | R930055366 |
| 04040240854000A | R930055363 |

| Type | Material number |
|------|-----------------|
| | |
| | |
| | |
| | |

Dimensions



Bosch Rexroth Oil Control S.p.A.

Via Leonardo da Vinci 5
P.O. Box no. 5
41015 Nonantola – Modena, Italy
Tel. +39 059 887 611
Fax +39 059 547 848
compact-hydraulics-cv@boschrexroth.com
www.boschrexroth.com/compacthydraulics

© This document, as well as the data, specifications and other information set forth in it, are the exclusive property of Bosch Rexroth Oil Control S.p.a.. It may not be reproduced or given to third parties without its consent. The data specified above only serve to describe the product. No statements concerning a certain condition or suitability for a certain application can be derived from our information. The information given does not release the user from the obligation of own judgment and verification. It must be remembered that our products are subject to a natural process of wear and aging. Subject to change.