

Flow control, 3-way pressure compensated,
combination type fixed setting
Common cavity, Size 10

VRFC-10A-TF

04.04.01.00.85 - Z

RE 18321-18

Edition: 03.2016

Replaces: 09.2009

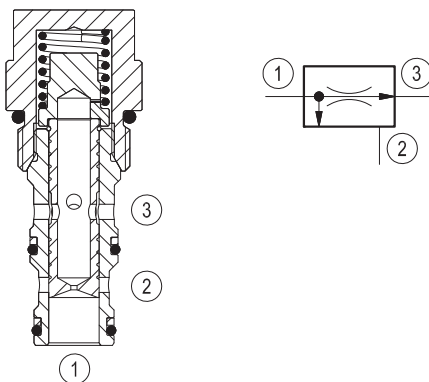


Technical data	
Pressure min. - max.	14 - 350 bar (200 - 5000 psi)
Max. inlet flow	60 l/min. (16 gpm)
Flow range	see "Regulated flow range" table
Fluid temperature range	-30 to 100 °C (-22 to 212 °F)
Installation torque	41 - 47 Nm (30 - 35 ft-lbs)
Weight	0.14 kg (0.31 lbs)
Cavity	CA-10A-3N (see data sheet 18325-70)
Lines bodies and standard assemblies	Please refer to section "Hydraulic integrated circuit" or consult factory
Seal kit ¹⁾	Code: RG10A3010520100 material no: R901111369
Fluids	Mineral-based or synthetics with lubricating properties at viscosities of 10 to 500 mm ² /s (cSt)
Recommended degree of fluid contamination	Nominal value max. 10µm (NAS 8) / ISO 4406 19/17/14
Installation	No restrictions
Other Technical Data	See data sheet 18350-50

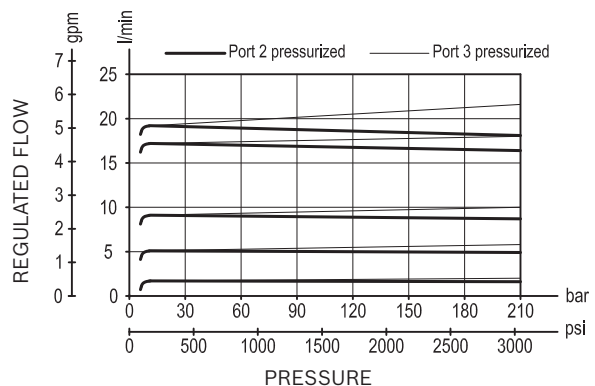
1) Only external seals for 10 valves

Description

A constant flow rate, regardless of system pressures, is established from 1 to 3 while a minimum pressure differential of 14 bar (200 psi) exists between the two ports. Input flow supplied to 1 in excess of the regulated output at 3 is by-passed to 2. The valve cannot be adjusted for variable flow output. Flow from 3 to 1 is limited by the diameter of the selected control orifice and is not pressure compensated. Flow from 2 to 1 is not permitted.



Characteristic curve



Ordering code

04.04.01.00	85	Z	00	*
--------------------	-----------	----------	-----------	----------

Flow control, 3-way pressure compensated combination type fixed setting

Series 0/A to L
unchanged performances and dimensions

Version and options standard

85 Common cavity, Size 10

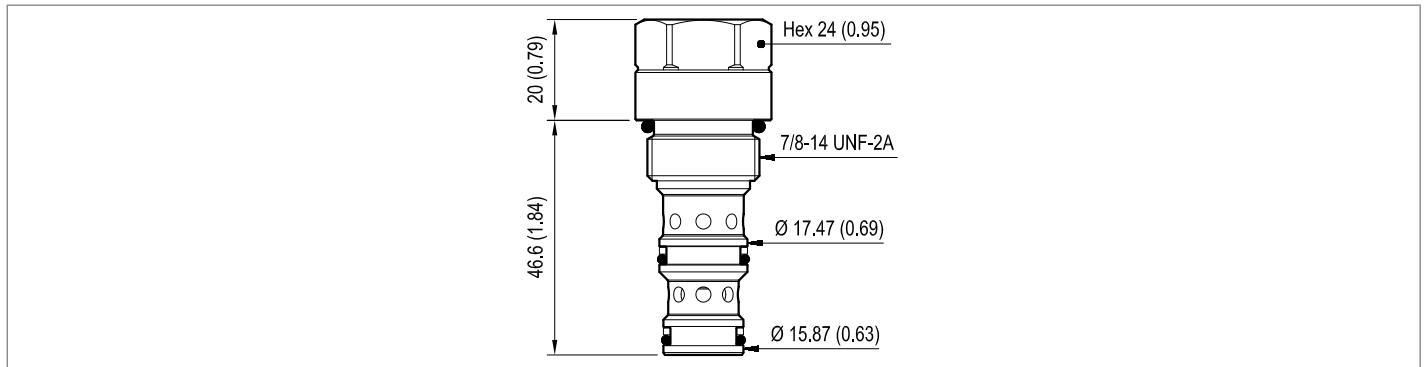
	Regulated flow range l/min. (gpm) ± 10%
02	1.7 (0.5)
04	3.5 (0.9)
05	5 (1.3)
07	7.2 (1.9)
09	8.7 (2.3)
17	17 (4.5)
19	19 (5)

Preferred types

Type	Material number
040401008502000	R930005627
040401008504000	R930005628
040401008505000	R930005629
040401008507000	R930005630

Type	Material number
040401008509000	R930005631
040401008517000	R930005632
040401008519000	R930005633

Dimensions



Bosch Rexroth Oil Control S.p.A.

Via Leonardo da Vinci 5
P.O. Box no. 5
41015 Nonantola – Modena, Italy
Tel. +39 059 887 611
Fax +39 059 547 848
compact-hydraulics-cv@boschrexroth.com
www.boschrexroth.com/compacthydraulics

© This document, as well as the data, specifications and other information set forth in it, are the exclusive property of Bosch Rexroth Oil Control S.p.a.. It may not be reproduced or given to third parties without its consent. The data specified above only serve to describe the product. No statements concerning a certain condition or suitability for a certain application can be derived from our information. The information given does not release the user from the obligation of own judgment and verification. It must be remembered that our products are subject to a natural process of wear and aging. Subject to change.