

Flow control, 2-way pressure compensated,
fixed setting

Common cavity, Size 12

RE 18321-14

Edition: 03.2016

Replaces: 09.2009

VRFA-12A-TF

04.02.03.00.57 - Z

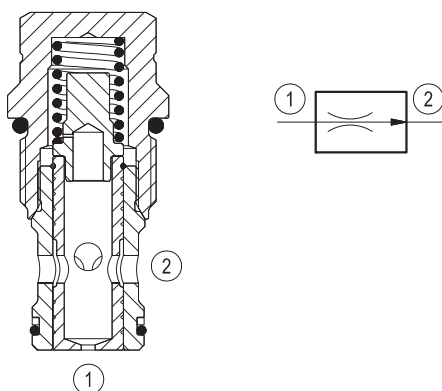


Technical data	
Pressure min. - max.	14 - 350 bar (200 - 5000 psi)
Flow range	see "Regulated flow range" table
Fluid temperature range	-30 to 100 °C (-22 to 212 °F)
Installation torque	81 - 95 Nm (60 - 70 ft-lbs)
Weight	0.26 kg (0.57 lbs)
Cavity	CA-12A-2N (see data sheet 18325-70)
Lines bodies and standard assemblies	Please refer to section "Hydraulic integrated circuit" or consult factory
Seal kit ¹⁾	Code: RG12A2010520100 material no: R901111377
Fluids	Mineral-based or synthetics with lubricating properties at viscosities of 10 to 500 mm ² /s (cSt)
Recommended degree of fluid contamination	Nominal value max. 10µm (NAS 8) / ISO 4406 19/17/14
Installation	No restrictions
Other Technical Data	See data sheet 18350-50

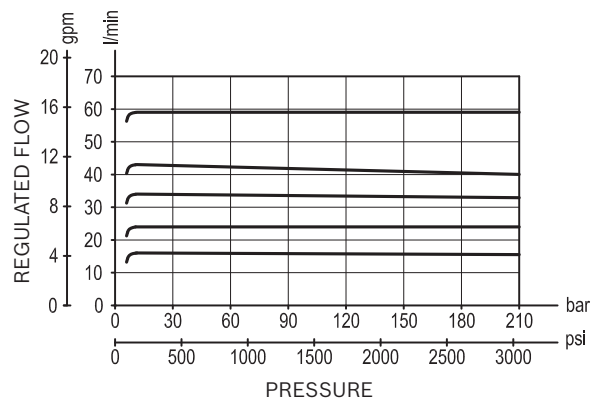
Description

A constant flow rate, regardless of system pressures, is established from 1 to 2 while a minimum pressure differential of 14 bar (200 psi) exists between the two ports. The valve cannot be adjusted for variable flow output. Flow from 2 to 1 is limited by the diameter of the selected control orifice and is not pressure compensated.

1) Only external seals for 10 valves



Characteristic curve



Ordering code

04.02.03.00	57	Z	00	*
--------------------	-----------	----------	-----------	----------

Flow control, 2-way pressure compensated fixed setting

Series 0/A to L
unchanged performances and dimensions

Version and options standard

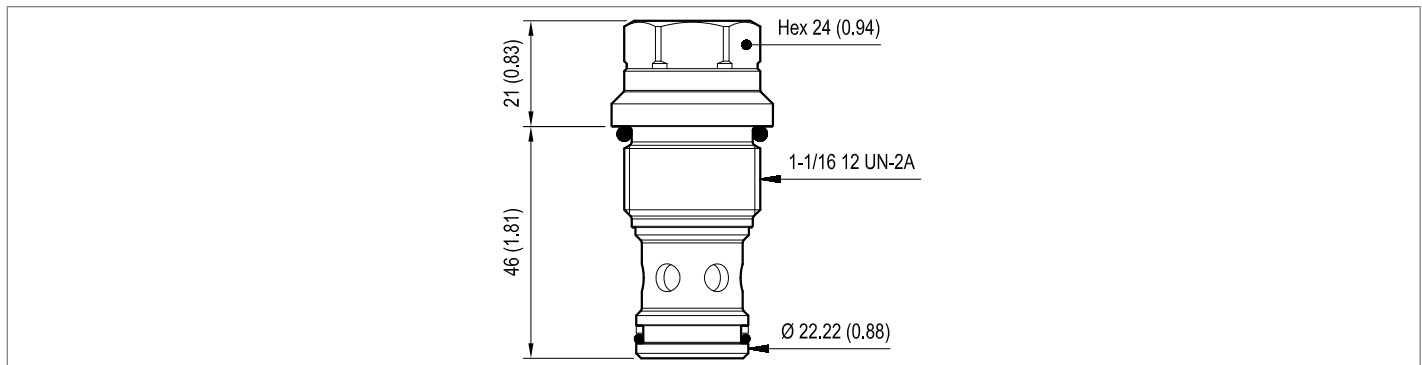
57 Common cavity, Size 12

	Regulated flow range l/min. (gpm) ± 10%
15	15 (4)
20	20 (5)
23	23 (6)
26	26 (7)
29	29 (8)
37	37 (10)
41	41 (11)
45	45 (12)
50	50 (13)
58	58 (15)
63	63 (17)

Preferred types

Type	Material number
040203005715000	R930005616
040203005720000	R930005617
040203005723000	R930005618
040203005726000	R930005619
040203005729000	R930005620
040203005737000	R930005621

Type	Material number
040203005741000	R930005622
040203005745000	R930005623
040203005750000	R930005624
040203005758000	R930005625
040203005763000	R930005626

Dimensions**Bosch Rexroth Oil Control S.p.A.**

Via Leonardo da Vinci 5
P.O. Box no. 5
41015 Nonantola – Modena, Italy
Tel. +39 059 887 611
Fax +39 059 547 848
compact-hydraulics-cv@boschrexroth.com
www.boschrexroth.com/compacthydraulics

© This document, as well as the data, specifications and other information set forth in it, are the exclusive property of Bosch Rexroth Oil Control S.p.a.. It may not be reproduced or given to third parties without its consent. The data specified above only serve to describe the product. No statements concerning a certain condition or suitability for a certain application can be derived from our information. The information given does not release the user from the obligation of own judgment and verification. It must be remembered that our products are subject to a natural process of wear and aging. Subject to change.