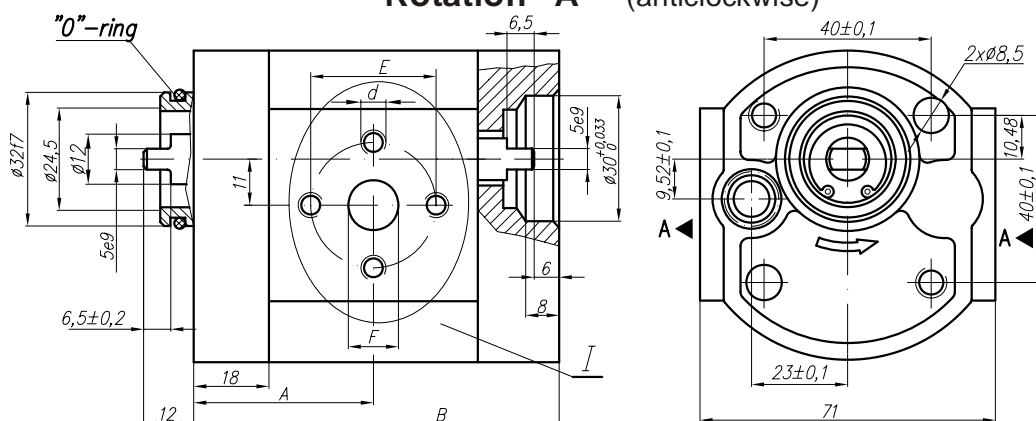
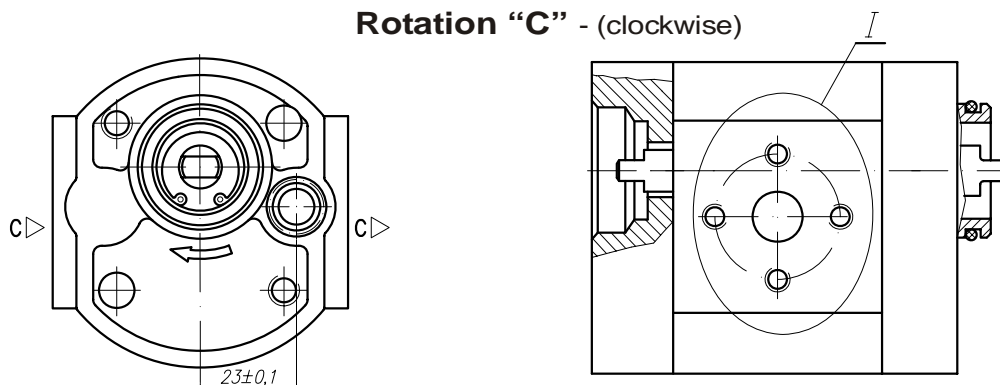


The pump 10A(C)...X230 is a first section of a multiple pump Gr. 11 for mini power packs.

Rotation "A" - (anticlockwise)



Rotation "C" - (clockwise)

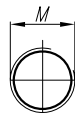


I - variants

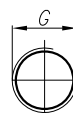
Variants:

- ...X230 - Normal version (flange);
- ...X230M - for M ports (see the picture I and the table below);
- ...X230G - for G ports (see the picture I and the table below);
- ...X230U - for U ports (see the picture I and the table below).

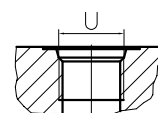
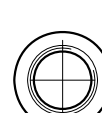
Variant M



Variant G



Variant U (SAEJ475 (ISO R725))



Type	Displacement cm ³ /rev	Flow		Pressure P _{nom} bar	max Speed n rpm	Dimension							
		at 1500 rpm l/min	at max rpm l/min			A mm	B mm	Inlet					
								E	F	d	M	G	U
10A(C)1X230	1	1,40	3,26	250	3500	39,1	79	ø 30	ø 12	M6	M16x1,5	G 3/8" - A	3/4" - 16UNF - 2B
10A(C)1,25X230	1,25	1,74	4,07	250	3500	39,5	80						
10A(C)1,6X230	1,6	2,23	5,21	250	3500	40,3	81,6						
10A(C)2X230	2	2,82	6,58	250	3500	41,1	83,2						
10A(C)2,5X230	2,5	3,53	8,23	250	3500	42,1	85,2						
* 10A(C)2,65X230	2,65	3,74	8,72	250	3500	42,4	85,8				M20x1,5	G 1/2" - A	
10A(C)3,15X230	3,15	4,44	10,36	250	3500	43,5	87,8						
10A(C)3,65X230	3,65	5,15	12,01	250	3500	44,4	89,9						
10A(C)4,2X230	4,2	5,92	13,82	250	3500	45,5	92,1						
* 10A(C)4,7X230	4,7	6,63	15,46	250	3500	46,1	94						
10A(C)5X230	5	7,05	14,10	250	3000	47,1	95,2						
10A(C)5,7X230	5,7	8,12	16,25	200	3000	48,5	98,1	ø 30	ø 12	M6	G 1/2" - A	7/8" - 14UNF	
10A(C)6,1X230	6,1	8,69	14,49	200	2500	49,4	99,8						
10A(C)7,4X230	7,4	10,55	17,58	180	2500	52,1	105,2						
* 10A(C)8X230	8	11,40	15,20	150	2000	53,4	107,7						
10A(C)8,5X230	8,5	12,11	16,15	150	2000	54,4	109,7						
10A(C)9,8X230	9,8	13,97	18,62	120	2000	57	115						

* - These pumps - only under a special order